



**USB to RS232 485
TTL armor serial cable**

Please read the instructions carefully before using the product

USB to RS232 485 TTL armor serial cable

I. Overview

With the continuous development of the PC industry, various large peripheral interfaces (such as DB9 serial port interfaces) of old-fashioned PCs are being gradually canceled, but in the industrial environment, RS485 interface is used by many important devices to realize data communication, so the USB to TTL/RS232/485 converter is used by many users to realize the data transmission between PC and TTL/RS232/485 equipment.

This universal USB2.0 to TTL/RS232/485 converter does not require an external power supply and is compatible with USB2.0, TTL/RS232/485 standard, capable of converting single-ended USB signals into TTL/RS232/485 signals, providing 600W surge protection power for each line, as well as surge voltage generated on the line due to various reasons and extremely small inter-electrode capacitance guarantee. The high-speed transmission of TTL/RS232/485 interface is achieved, and the TTL/RS232/485 end is connected through a DB9 male connector.

The converter has zero-delay automatic transmission and reception conversion inside the converter, and the unique I/O circuit automatically controls the direction of data flow.

USB to TTL/RS232/485 converter can provide reliable connection for point-to-point, point-to-multipoint communication, RS485 point to multipoint, each converter can connect up to 256 RS485 devices, TTL/RS485 communication rate 300bps to 3Mbps,

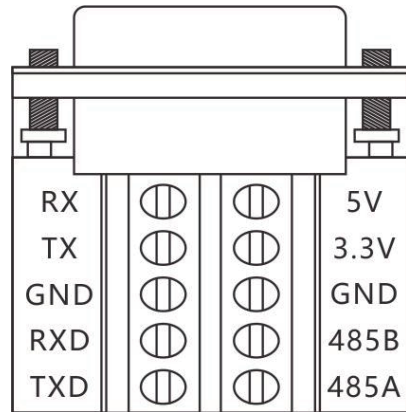
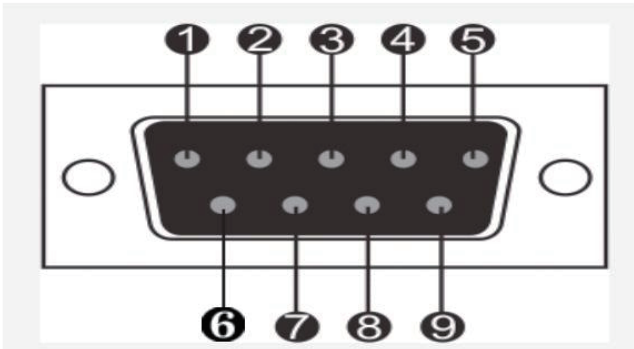
RS232 communication data rate 300bps to 460800bps.

Products are widely used in industrial automation control systems, access control systems, attendance system, credit card system, building automation system, power system, data acquisition system.

II. Product parameters

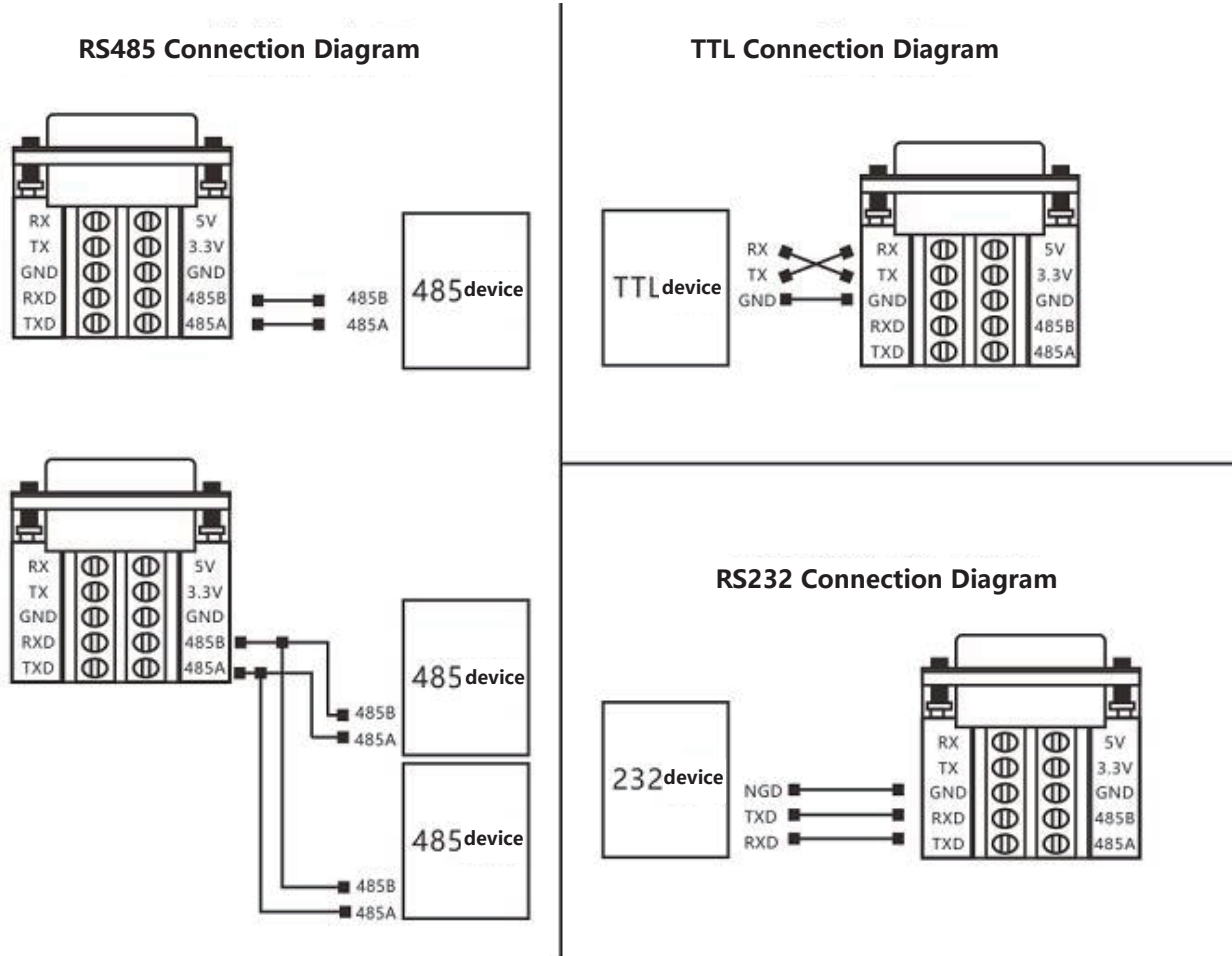
- 1、 Full-speed USB device interface, compatible with USB V2.0/V1.1;
- 2、 Imported FTDI original chip, standard serial port protocol;
- 3、 RS232 supports baud rate 300~460800bps;
- 4、 RS485 supports baud rate 300~3000000bps;
- 5、 TTL supports baud rate 300~3000000bps;
- 6、 Isolation voltage DC/AC 5000Vrms;
- 7、 Support data bits: 7, 8, stop bits: 1, 2, parity bits: Even, None, Odd, Mark, Space;
- 8、 Circuit integrated ESD protection:
 - ±20KV IEC1000-4-2 air gap discharge;
 - ±20KV IEC1000-4-2 contact discharge;
- 9、 RS485 surge protection 600W; RS232/TTL surge protection 350W;
- 10、 Support Windows/Mac/Linux/Windows ce operating system;

III. Pin definition



DB9 male pin definition			
Pin	Definition	Pin	Definition
①	TTL-RX	6	RS485-A
②	RS232-RXD	⑦	RS485-B
③	RS232-TXD	⑧	DC 3.3V
④	TTL-TX	⑨	DC 5V
⑤	GND		
Terminal pin definition			
Location	Definition	Location	Definition
RX	TTL-RX <small>Communication Interface</small>	5V	DC5V <small>Power Supply Positive Output</small>
TX	TTL-TX <small>Communication Interface</small>	3.3V	DC3.3V <small>Power Supply Positive Output</small>
GND	Signal/Power Ground	GND	Signal/Power Ground
RXD	RS232-RXD <small>Communication Interface</small>	485B	RS485- <small>Communication Interface</small>
TXD	RS232-TXD <small>Communication Interface</small>	485A	RS485+ <small>Communication Interface</small>

IV.Product communication connection diagram

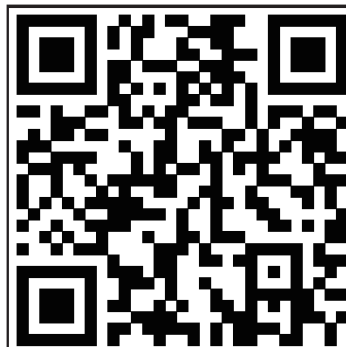


V. Packaging and accessories

Product *1 piece

Terminal * 1 Piece

六、 Please scan the QR code to download the driver



Product Warranty Card

Customer Information

Model :	
Date of purchase :	
User telephone :	
User address :	
Distributor :	
Agency address :	
User telephone :	Dealer stamp valid

Intenance Records

Repair times	Date	Fault	Treatment measures	Repair work NO.